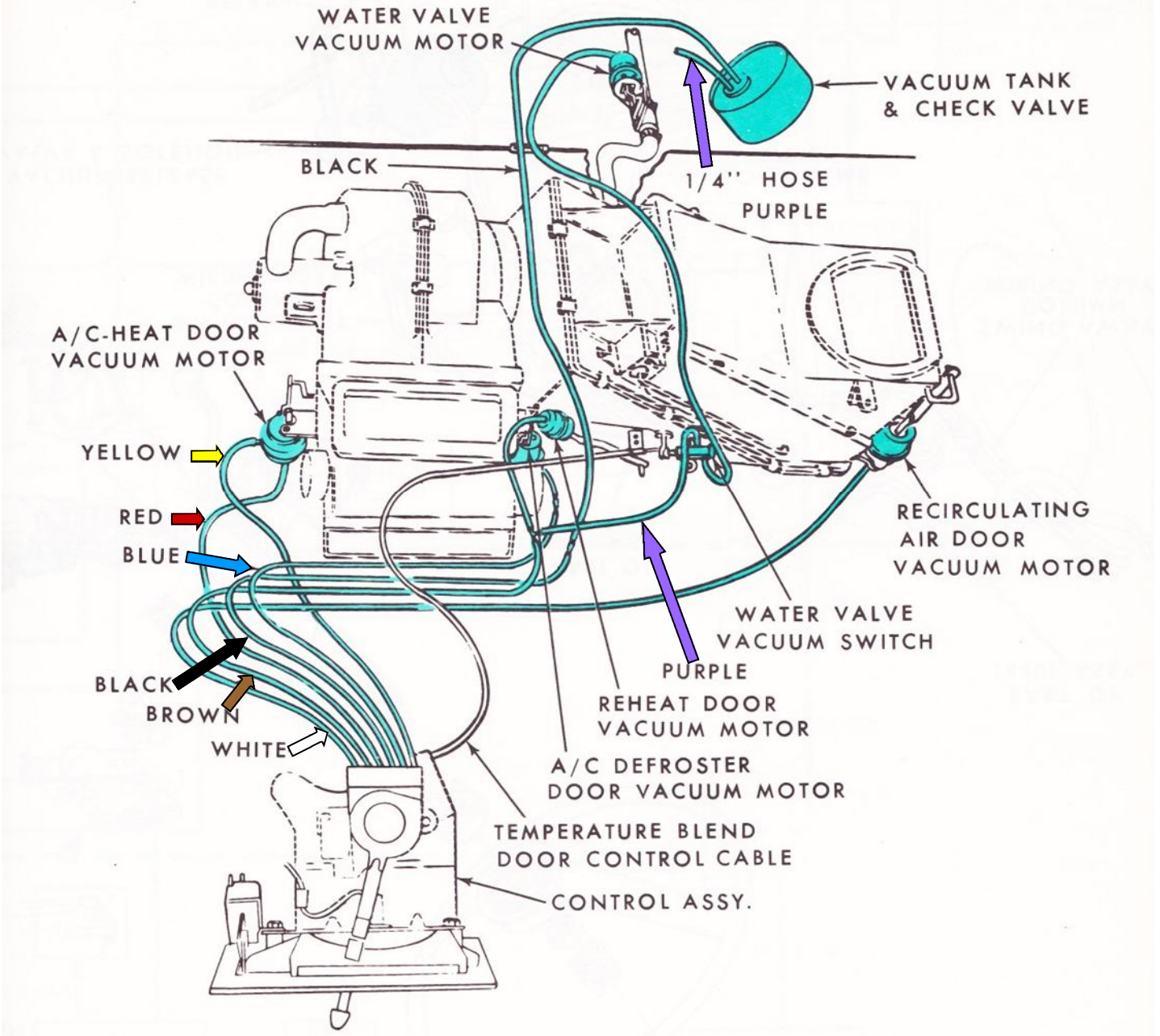
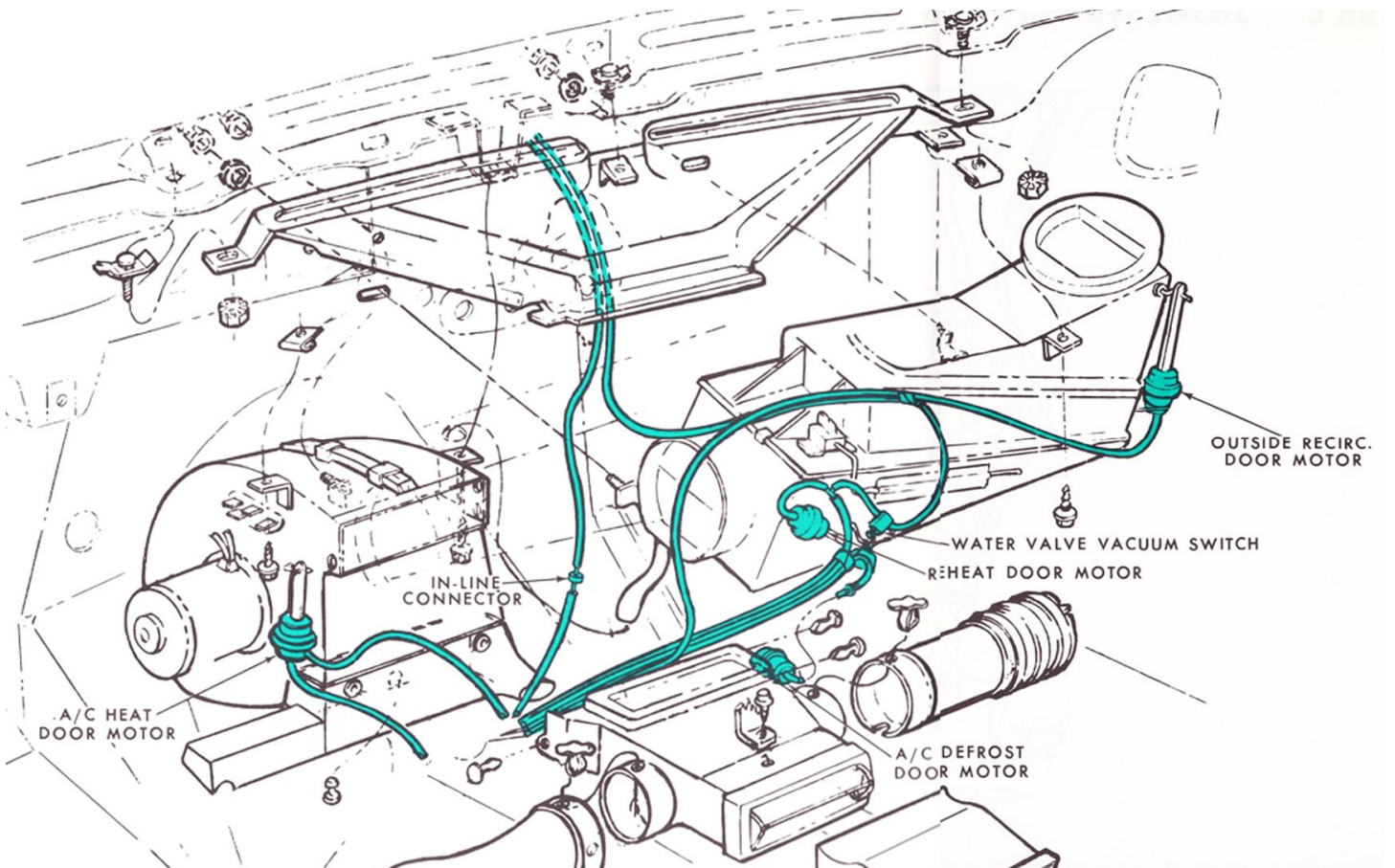
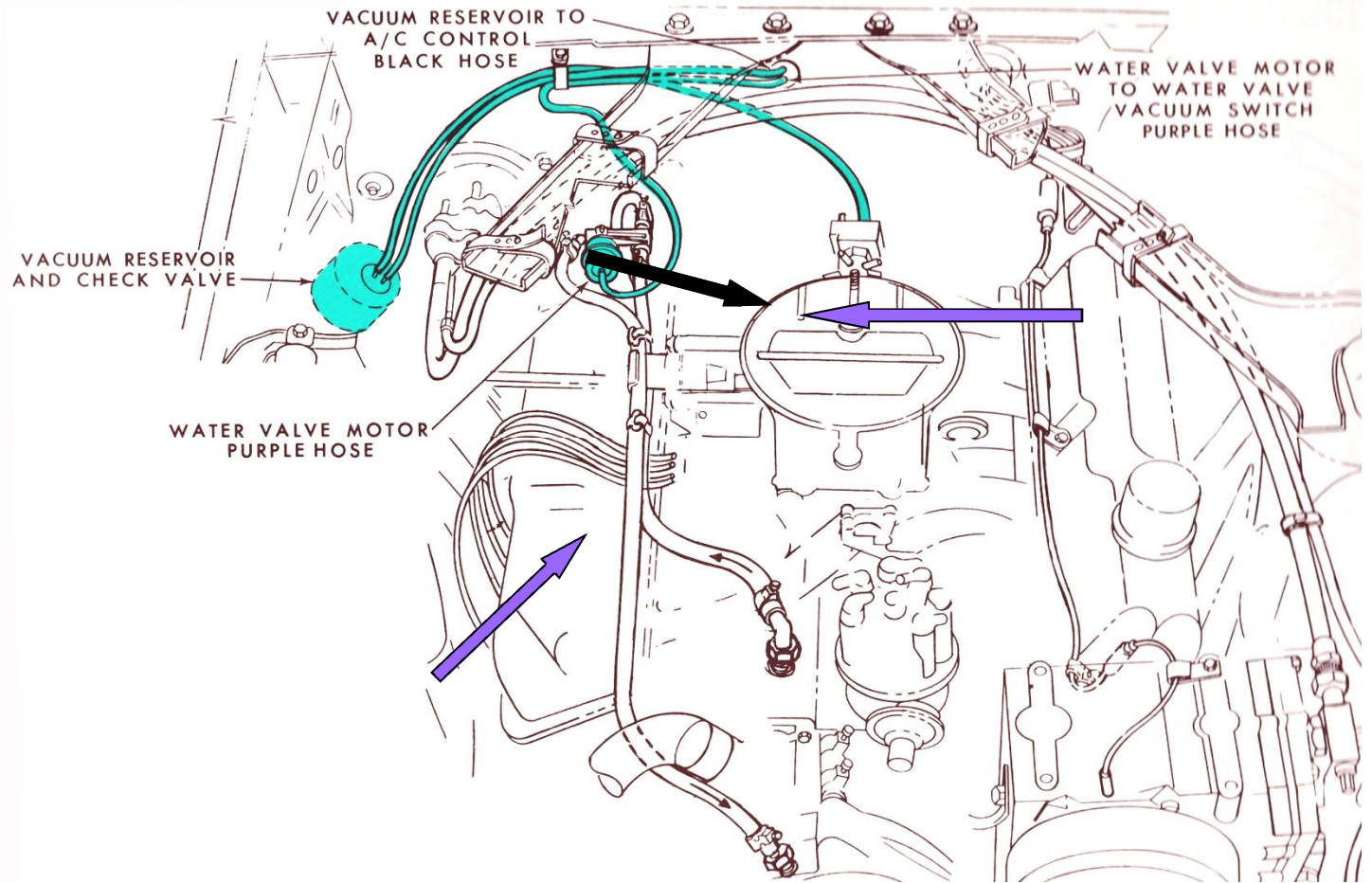




1969 AC Vacuum Routing





A/C - HEATER DIAGNOSIS CHART

		TEMP. CONTROL LEVER (CABLE CONTROLS BLEND DOOR)	FUNCTIONAL CONTROL LEVER POSITION				
			MAX FRESH A/C		OFF	HI/LO FLOOR FOG HEAT	ICE DEF
AIR DOOR	OUTSIDE RECIRC. (WHITE)		OPEN TO RECIRC. V	OPEN TO OUTSIDE NV	OPEN TO RECIRC. V	OPEN TO OUTSIDE NV	
	A/C HEAT DOOR	PARTIAL RED	NV		POSITION V	POSITION V	POSITION NV
		FULL YELLOW	OPEN POSITION		MITTIO NV	HEAT TION V	MITTIO NV
	A/C DEFROST (BLUE)		A/C POSITION V	DEFROST POSITION NV	A/C POSITION V	DEFROST POSITION NV	
	REHEAT (BROWN)		BLEND POSITION (CLOSED) V		HEAT POSITION (OPEN) NV		
CLUTCH SWING			ON		OFF		
BLOWER SWITCH			ON L - M - H	ON L - M - H OFF RAM AIR	OFF *	ON - L - M - H OFF - RAM AIR	
WATER VALVE SWITCH (CONTROLLED BY TEMP. LEVER)		COOL	OPEN				
		MOD	SEALED				
		WARM					
WATER VALVE (CONTROLLED BY WATER VALVE VACUUM SWITCH)		COOL	CLOSED V				
		MOD	OPEN NV				
		WARM					
TEMPERATURE DOOR		COOL	ALL COLD AIR BY-PASSES HEATER CORE		OUTSIDE AIR BY-PASSES HEATER CORE		
		MOD	COLD AIR PASSES THROUGH AND AROUND HEATER CORE		OUTSIDE AIR PASSES THROUGH AND AROUND HEATER CORE - THEN MIXED		
		WARM	ALL COLD AIR PASSES THROUGH HEATER CORE		OUTSIDE AIR PASSES THROUGH HEATER CORE		

L - LOW
M - MEDIUM
H - HIGH

V - VACUUM
NV - NO VACUUM
MOD - MODULATED

A/C - AIR CONDITIONING
DEF - DEFROST

* ON - RECIRC. DEFROST AIR