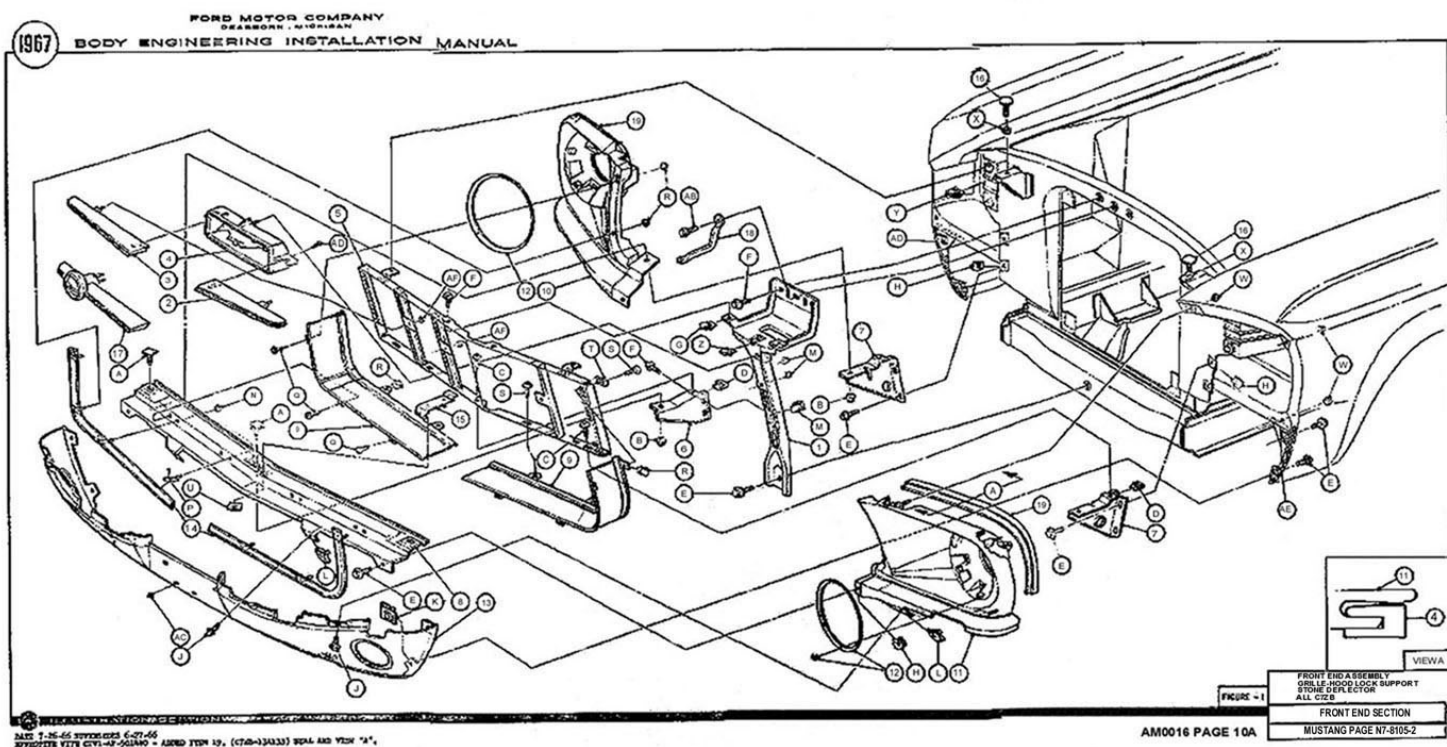




1967 Assembly Manual Pages

Jim (jwc66K) was nice enough to supply these two pages he assembled for the grill and front sheet metal section for the 1967 Assembly Manual.



FORD MOTOR COMPANY
DEARBORN, MICHIGAN

1967

BODY ENGINEERING INSTALLATION MANUAL

- 1 - (C7ZB-16707) SUPPORT ASSY. - HOOD LOCK HOOK.
- 2 - (C7ZB-8363) BAR ASSY. - RADIATOR GRILLE CTR.
- 3 - (C7ZB-8B107) BAR ASSY. - RADIATOR GRILLE CTR.
- 4 - (C7ZB-8E319) ORNAMENT AND MEDALLION ASSY. - RADIATOR GRILLE.
- 5 - (C7ZB-8200) GRILLE ASSY. - RADIATOR.
- 6 - (C7ZB-17890) SUPPORT - FRONT BUMPER STONE DEFLECTOR CTR.
- 7 - (C7ZB-17790-7) SUPPORT - FRONT BUMPER STONE DEFLECTOR.
- 8 - (C7ZB-17779) DEFLECTOR - FRONT BUMPER STONE.
- 9 - (C7ZB-8242-3) PANEL - RADIATOR GRILLE OPENING FINISH.
- 10 - (C7ZB-13099) HOUSING ASSY. - HEADLAMP R.H.
- 11 - (C7ZB-13101) HOUSING ASSY. - HEADLAMP L.H.
- 12 - SEE ELECTRICAL EQUIP. INSTALLATION MANUAL.
- 13 - (C7ZB-17A939) EXTENSION - FRONT BUMPER STONE DEFLECTOR.
- 14 - (C7ZB-8A317-8) MOULDING - RADIATOR GRILLE OPENING PANEL.
- 15 - (C7ZB-8B367) COVER ASSY. - RADIATOR GRILLE OPENING PAN MOULDING JOINT.
- 16 - (C7ZB-16763) BUMPER ASSY. - HOOD - 1 REQD. EACH SIDE.
- 17 - SEE ELECTRICAL EQUIP. INSTALLATION MANUAL.
- 18 - (C7ZB-16929) HOOK - HOOD LATCH.
- 19 - (C7ZB-13A133) SEAL - HEADLAMP HOUSING - 1 REQD. EACH SIDE.
- A - (379749-S2) BOLT AND RETAINER ASSY. - 3 REQD.
- B - (55736-S2) NUT - 3 REQD.
- C - (42127-S2) SCREW - 3 REQD.
- D - (45144-S2) NUT - 3 REQD.
- E - (378178-S2) SCREW AND WASHER ASSY. - 11 REQD.
- F - (378178-S2) SCREW AND WASHER ASSY. - 6 REQD.
- G - (379483-S2) NUT AND RETAINER - 1 REQD. EACH SIDE.
- H - (380020-S2) NUT AND RETAINER - 8 REQD.
- J - (359159-S2) SCREW AND WASHER ASSY. - 4 REQD.
- K - (359873-S2) NUT AND RETAINER ASSY. - 4 REQD.
- L - (372881-S2) NUT AND RETAINER - 4 REQD.
- M - (376764-S2) NUT AND WASHER ASSY. - 2 REQD. (15-25 LBS. INCH TORQUE).
- N - (375542-S36) NUT AND WASHER ASSY. - 4 REQD. EACH SIDE.
- P - (C7ZB-8A072-A1) OR (C7ZB-8A072-A2) RETAINER ASSY. - RADIATOR GRILLE OPENING MOULDING - 4 REQD. EACH SIDE.
- Q - (379557-S101) SCREW - 3 REQD. EACH SIDE.
- R - (45144-S2) NUT - 3 REQD. EACH SIDE.
- S - (372345-S2) SCREW - 3 REQD. EACH SIDE.
- T - (C7ZB-8B249) RETAINER - 1 REQD. EACH SIDE.
- U - (381943-S36) NUT - 2 REQD.
- W - (55734-S2) NUT - 3 REQD. EACH SIDE.
- X - (33922-S2) NUT - 1 REQD. EACH SIDE.
- Y - (378680-S2) NUT AND RETAINER - 1 REQD. EACH SIDE.
- Z - (378681-S2) NUT AND RETAINER - 1 REQD.
- AB - (378178-S2) SCREW AND WASHER ASSY. - 2 REQD.
- AC - (375838-S) BUMPER - 2 REQD.
- AD - (53272-S2) SCREW - 1 REQD. EACH SIDE.
- AE - (SE-44632-A) BLACK OR GRAY SEALER .19 DIA. EACH SIDE.
- AF - (373265-S2) NUT AND WASHER ASSY. - 3 REQD. (18-30 LBS. INCH TORQUE).

*NOTE: SEE LATEST ENGINEERING RELEASES FOR ALTERNATE PARTS.

ILLUSTRATION SECTION

DATA 12-20-66 SUPERSEDES 8-22-66
EFFECTIVE WITH CZV1-AF-510505 - ITEM "U", (381943-S36)
NUT WAS (373275-S2).

FRONT END ASSEMBLY GRILLE-HOOD LOCK SUPPORT STONE DEFLECTOR ALL C7ZB
FRONT END SECTION
MUSTANG PAGE 17-8105-3